



# PICK-A-PLAY™ WIRELESS FOOTBALL



## Assembly Instructions Model 1-1-28588

ASSEMBLY REQUIRED

### CONTACT INFO

#### Hours

Monday to Friday  
(9am to 5pm EST)

#### Technical Support

Email us at: [consumerservice@eastpointssports.com](mailto:consumerservice@eastpointssports.com)  
Visit us at: [www.eastpointssports.com](http://www.eastpointssports.com)  
Call: 973-585-4747

[www.eastpointssports.com](http://www.eastpointssports.com)

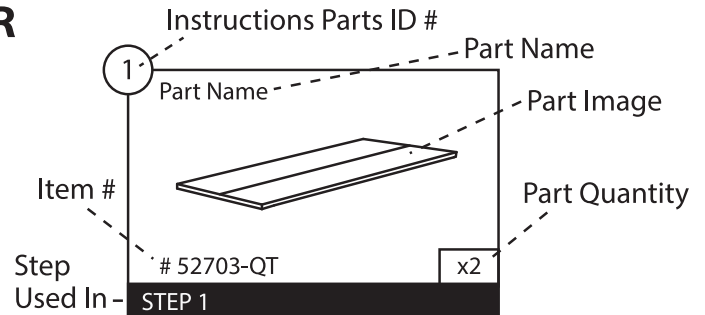
# TOOLS

## Required

- Phillips Head Screwdriver  
(Standard Size) – Not Included


## How to use the PARTS IDENTIFIER

Before you begin assembly, please make sure that you have all the parts listed and in the correct quantities. This will ensure the quickest and most organized assembly.



### PARTS IDENTIFIER


1 Target Mat



28588-01139 x1

STEP 1


2 Hanger - Left



28400-04139 x1

STEP 1

3 Hanger - Right




28400-05139 x1

STEP 1

### ACCESSORIES

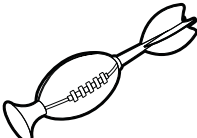
80 Wireless Wristband Scorer



28588-80139 x1

STEP 4

81 Football Dart



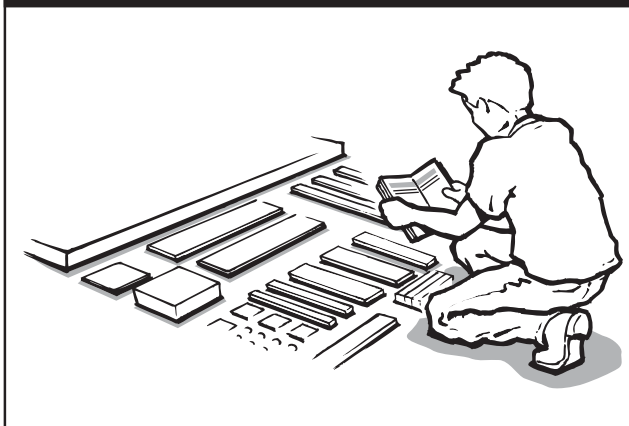
28545-81139 x3

# ASSEMBLY INSTRUCTIONS

## Game Construction

START

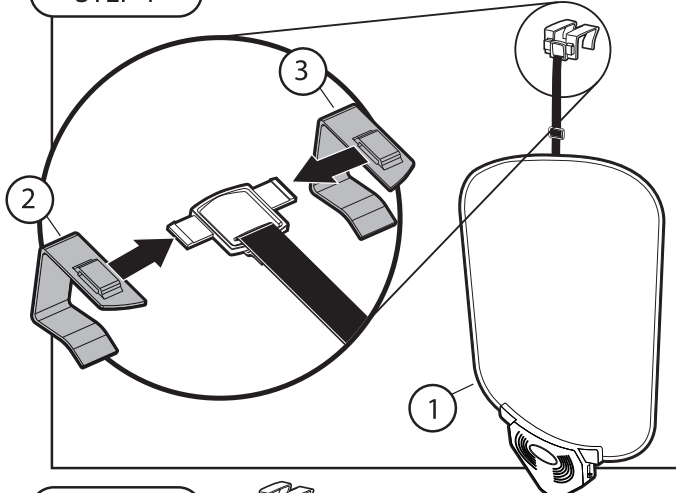
### BEFORE BUILDING - Please inspect and layout all your PARTS



All parts are listed in the Parts Identifier and Accessories.

Please review the Parts Identifier and make sure that you have all parts before beginning assembly.

STEP 1



COMPONENTS

QTY.

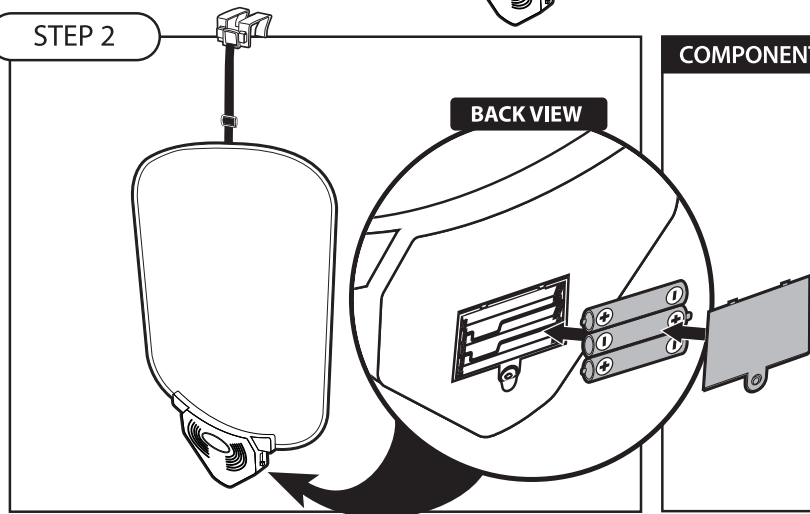
NOTE:

- ① Target Mat
- ② Hanger - Left
- ③ Hanger - Right

x1  
x1  
x1

Slide the Left & Right Hanger into the center clip of the Strap on the Target Mat.

STEP 2



COMPONENTS

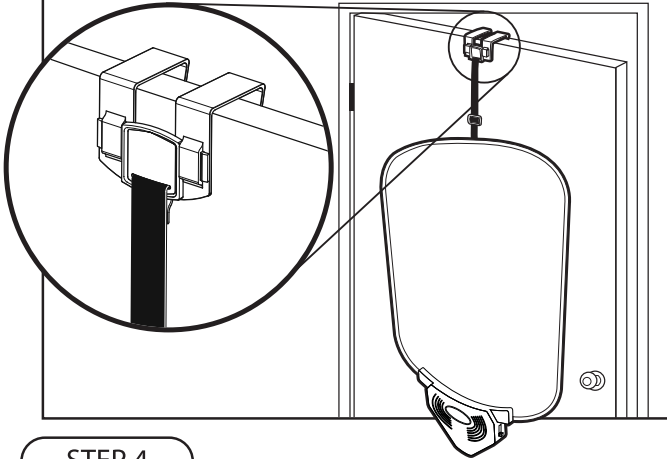
QTY.

NOTE:

Remove the Battery Box door.  
Insert 3 AAA batteries (**NOT INCLUDED**).  
Close the Battery Box door.



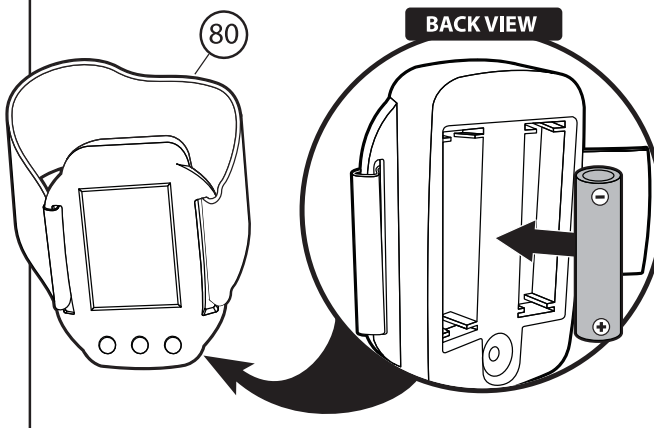
**STEP 3**



COMPONENTS	QTY.

**NOTE:**  
Once the unit is on the door, carefully close the door.  
  
Slide the locking buckle to adjust the Target Mat height.

**STEP 4**

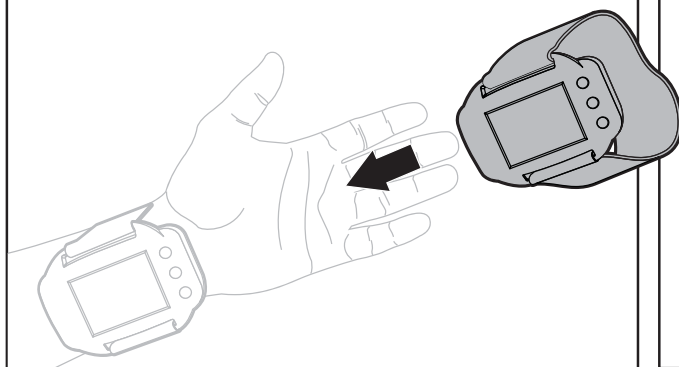


COMPONENTS	QTY.
80 Wireless Wristband Scorer	x1

**NOTE:**  
Remove the Battery Box door.  
  
Insert 2 AAA batteries (**NOT INCLUDED**).  
  
Close the Battery Box door.



**STEP 5**

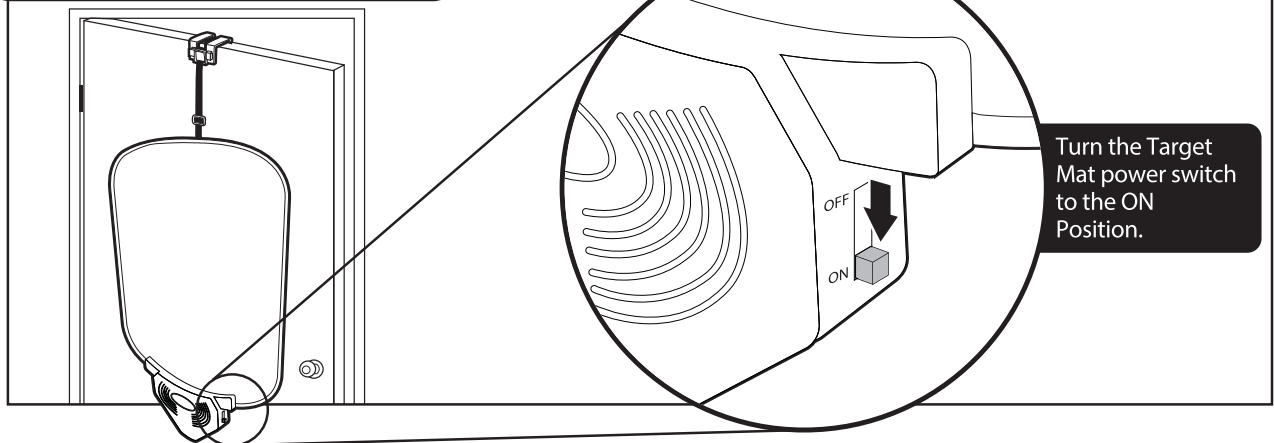


COMPONENTS	QTY.

**NOTE:**  
Slide the Scorer onto your Wrist as shown.

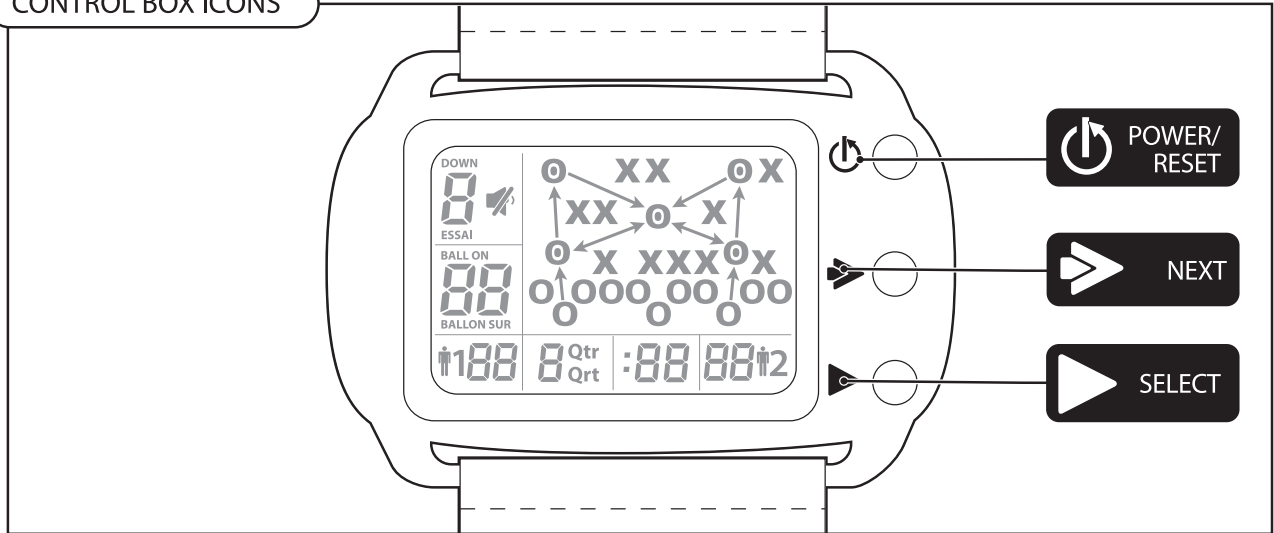
**HAVE FUN!**

TARGET MAT POWER SWITCH

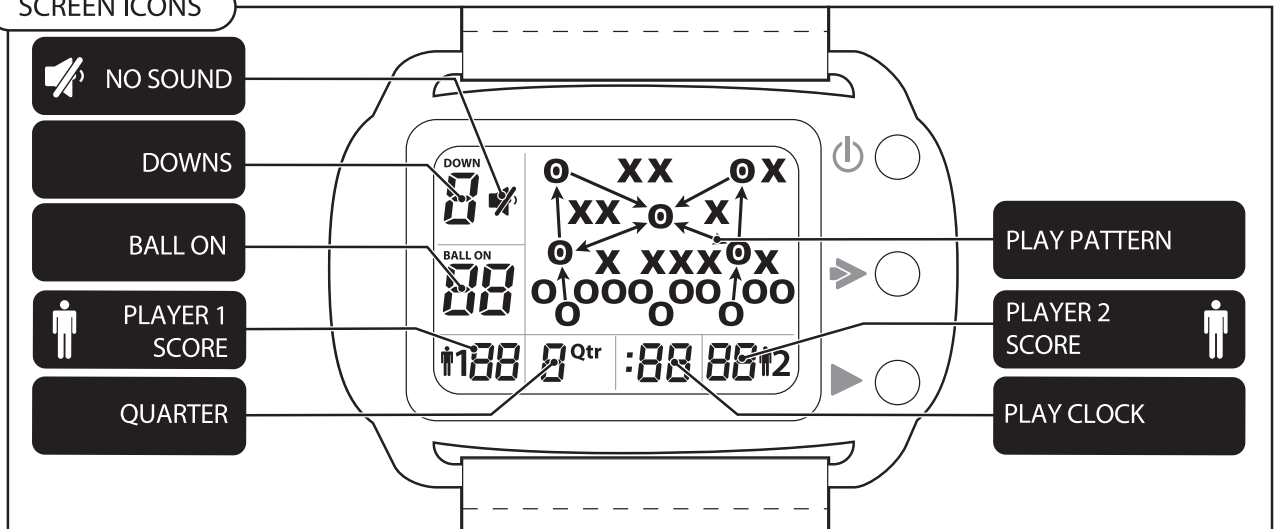


# CONTROL BOX OPERATION

CONTROL BOX ICONS



SCREEN ICONS



## GAME PLAY OPTIONS

### Games

#### Pick-A-Play™ (1 to 2 Player Game)

Play through a four-quarter football game as the quarterback. Choose between 10 different plays and pass to the open receiver. In this game mode you are in control of the play calling. Each possession is a quarter. The player with the most points at the end of four quarters wins!

#### Coach's Call (1 to 2 Player Game)

Play through a four-quarter football game as the quarterback. In this game mode, you are receiving play calls from the coach. Follow his direction and try to complete each pass. Each possession is a quarter. The player with the most points at the end of four quarters wins!

## GAME PLAY

### Football Rules

- Players try to complete passes to the lit target receivers in order to move down the field to the endzone for points.
- There are four quarters. Each possession is a quarter and each quarter begins on your own 20 yard line.
- In each possession players get four downs to complete a pass. If a pass is completed, the downs reset and the player advances the amount of yards for the completed pass.
- If the player reaches the end zone, he or she receives 7 points. If the player is on 4th down and the ball is on the offensive 30 yard line or within it, the player has the option to go for it and pick a passing play or take three points for a field goal. The penalty for an incomplete pass on 4th down is a turnover and the next player will begin their turn.
- If the player is outside of the 30 yard line on 4th down, the ball will be punted away and the next player will begin their turn.
- The Player with the most points at the end of 4 quarters wins!

### Passing

- After your play is selected you will hear the game say "Break" followed by a clap like a real football huddle, then "Hike!"
- Follow the LED's as the receiver runs the route. When the intended receiver is lit up, throw the football dart to complete the pass. Completions will only count if the receiver's light is ON.

## SCORER OPERATION and GAME SELECTION


### POWER

First, turn the Target Mat power switch to the ON Position.

Then, press POWER/RESET  on the Wireless Wristband Scorer to turn the game on.


### SELECT GAME

Press NEXT  to scroll between the game options.


Press SELECT  to select the desired game option.

### SELECT PLAYERS

Press NEXT  to scroll through the number of players.



Press SELECT  to select the desired number of players and begin.

### BEGIN PLAYER'S TURN


Press SELECT  to begin the current player's turn. The play clock will begin to count down.

**NOTE: If playing Pick-A-Play™, press NEXT  to scroll through the plays in the play book. Press SELECT  when you have found the desired play. Choose your play before the play clock runs out.**

### SOUND

Press and hold SELECT  for 2 seconds to turn the sound ON or OFF. The no sound icon (  ) will appear on the LCD screen when the sound is off.

### RESET

Press and hold RESET  for 1 second to reset the scoreboard.

## FCC IDENTIFIER :

This device complies with part 15 of the FCC rules. Operation is subject to the following two conditions: (1) This device may not cause harmful interference, and (2) This device must accept any interference received, including interference that may cause undesired operation.

**Warning!** Changes or modifications to this unit not expressly approved by the party responsible for compliance could void the user's authority to operate the equipment.

**NOTE:** This equipment has been tested and found to comply with the limits for a Class B digital device, pursuant to Part 15 of the FCC Rules. These limits are designed to provide reasonable protection against harmful interference in a residential installation. This equipment generates, uses and can radiate radio frequency energy and, if not installed and used in accordance with the instructions, may cause harmful interference to radio communications.

However, there is no guarantee that interference will not occur in a particular installation. If this equipment does cause harmful interference to radio or television reception, which can be determined by turning the equipment off and on, the user is encouraged to try to correct the interference by one or more of the following measures:

- Reorient or relocate the receiving antenna.
- Increase the separation between the equipment and receiver.
- Connect the equipment into an outlet on a circuit different from that to which the receiver is connected.

Consult the dealer or an experienced radio/TV technician for help.

## BATTERY WARNING

**DO NOT** mix old and new batteries.

**DO NOT** mix alkaline, standard (carbon-zinc), or rechargeable (ni-cad, ni-mh, etc.) batteries.

**DO NOT** dispose of batteries in fire, batteries may explode or leak.

MADE IN CHINA

## Limited Warranty

As described in and as limited by this Limited Warranty, EastPoint Sports, Ltd. (the "Company") warrants this Game (the "Product") to be free from defects in workmanship and materials for a period of 90 days from the date of original purchase. The term defects shall mean any imperfections that impair the use of the product. The Company reserves the right to request confirmation of Proof of Purchase when requesting parts or service in order to confirm that the game is within its warranty period.

**What is Covered:** Except as provided herein, this Limited Warranty covers all defects in materials and workmanship. This Limited Warranty is void if the Product is:

- Damaged through improper usage or storage, negligence, misuse, abuse, transportation damage, acts of nature, or accident (including failure to follow the instructions supplied with the product)
- Used in commercial applications, rentals or a commercial environment
- Modified or repaired by anyone not authorized by the Company

### What is Not Covered:

The Limited Warranty does not cover:

- Expendable items such as cosmetic parts, game playing accessories, and any other items that may show signs of wear due to normal usage
- Any transportation/delivery/installation costs incurred by the Consumer (either home from the original place of purchase or back to the original place of purchase)

### What the Company Will Pay For:

- If any part or component of the Product which is covered by this Limited Warranty is found by the Company to be defective, the Company will provide replacement parts without charge. The Company's obligation to repair or replace the Product or any portion thereof, shall be limited to the original purchase price of the product.
- If during the Limited Warranty period, the product is found to be defective, the Company will, at the Company's option, repair, replace, or make remuneration for the Product (either the same or equivalent value) without charge.

**How to Obtain Warranty Service:** In order to enforce your rights under this Limited Warranty, you must follow these procedures:

- You must return the ORIGINAL COPY OF YOUR SALES RECEIPT to the Company.
- You must call the Company's Consumer Service Department at 1-973-585-4747 on Monday through Friday between the hours of 9:00 A.M. and 5:00 P.M. (EST) to notify the Company of the nature of the problem. At the Company's option, replacement parts or a new Product (either the same or equivalent value) will be sent to you at no charge.
- If you are instructed to return the Product to the Company for servicing, you are responsible for shipping the Product, at your expense, to the address designated by the Company in packaging that will protect against further damage.
- You must also include your name, address, daytime telephone number, Product model number, and a description of the problem.
- The Company will pay for any shipping charges to return the repaired or replaced Product to you.

**THIS LIMITED WARRANTY IS AVAILABLE ONLY TO THE ORIGINAL PURCHASER OF THE PRODUCT AND IS VALID ONLY IN THE UNITED STATES. THE COMPANY'S LIABILITY IS LIMITED TO THE REPAIR, REPLACEMENT, OR REMUNERATION, AT ITS OPTION, OF ANY DEFECTIVE PRODUCT AND SHALL NOT INCLUDE ANY LIABILITY FOR INDIRECT, INCIDENTAL, OR CONSEQUENTIAL DAMAGES OF ANY KIND. THIS WARRANTY IS EXPRESSLY MADE IN LIEU OF ALL OTHER WARRANTIES, EXPRESSED OR IMPLIED, INCLUDING BUT NOT LIMITED TO THE IMPLIED WARRANTY OF MERCHANTABILITY AND THE IMPLIED WARRANTY OF FITNESS FOR A PARTICULAR PURPOSE. SOME STATES DO NOT ALLOW LIMITATIONS ON HOW LONG AN IMPLIED WARRANTY LASTS OR DO NOT ALLOW FOR EXCLUSION OF INCIDENTAL OR CONSEQUENTIAL DAMAGES. TO THAT EXTENT, THE ABOVE LIMITATIONS MAY NOT APPLY TO YOU.**

This Limited Warranty gives you specific legal rights, but you may also have other rights that vary from state to state.

If you have any questions regarding this Limited Warranty or the operation of the Product, you may call or write us.

**ALL WARRANTY CLAIMS MUST BE ACCOMPANIED BY A COPY OF THE SALES RECEIPT/PROOF OF PURCHASE. REPORT ANY DEFECTS TO:**



20 Commerce Boulevard Succasunna, NJ 07876 • 1-973-585-4747



20 Commerce Boulevard Succasunna, NJ 07876 • 1-973-585-4747  
PRINTED IN CHINA